

S

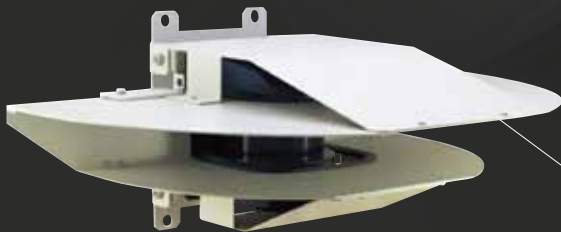
ensor Systems for Container Supply Chain



UXM Series

Features

- Field of View : 190°
- Scanning Range : 80m (30m with 10% reflectivity)
- Angular Resolution : 0.125°
- Measurement Accuracy : $\pm 50\text{mm}$ (at 30m with 90% reflectivity)
- High Speed Communication by Ethernet
- IP67 protection for outdoor use
- Multi Echo Functionality is ideal for harsh environments such as rain, snow and fog.
- Heater is available for cold environments.
- Lightweight at only 0.8kg making the unit easy to install in hard to access locations.
- Safety design : FDA Laser Class 1



Option

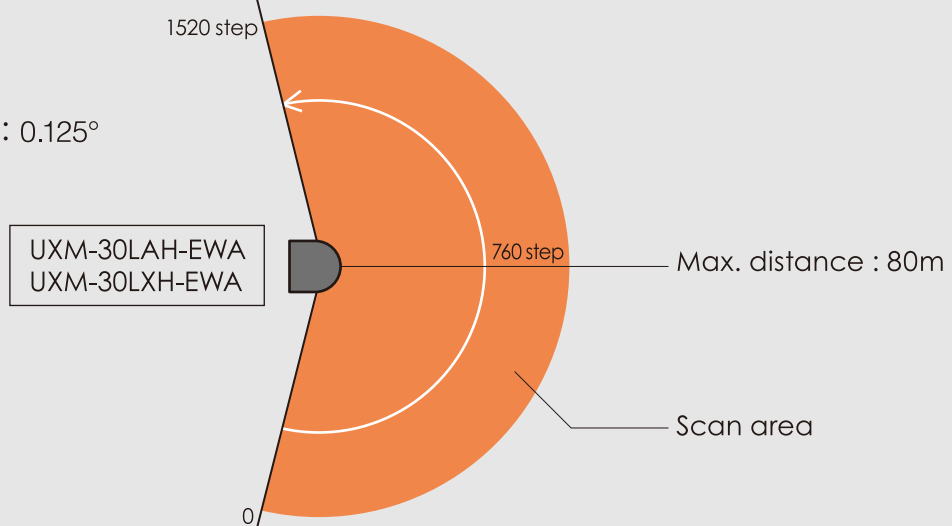
Sunlight interference prevention cover

Structure Laser range zone

Step : 1520

Scan angle : 190°

Angular resolution : 0.125°



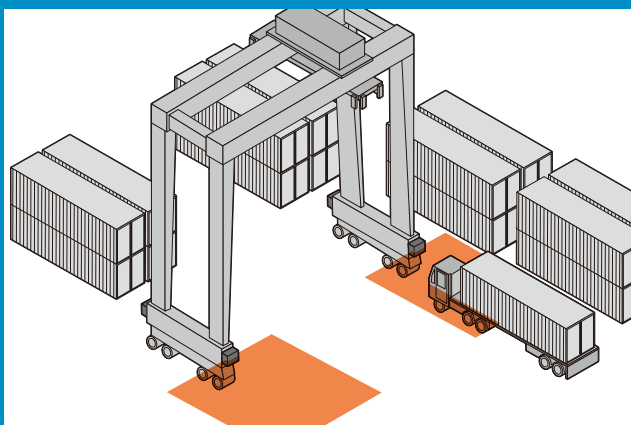
Area setting type

UXM-30LAH-EWA

The UXM-30LAH series accurately detects objects when they move into and out of pre-configured zones. Typically these outputs are used for “Warning”, “Slowdown” and “Stop”

Collision avoidance for RTGs, RMGs and AGVs

The RTG can be slowed down or stopped based on output status retrieved from the sensor.



Applications

- Obstacle detection of RTGs, RMGs and container AGVs
- Area monitoring to prevent collision between crane booms and ships

Area monitoring between crane booms and ship deck

It is possible to detect the distance between the crane boom and the ship's deck to prevent collision.



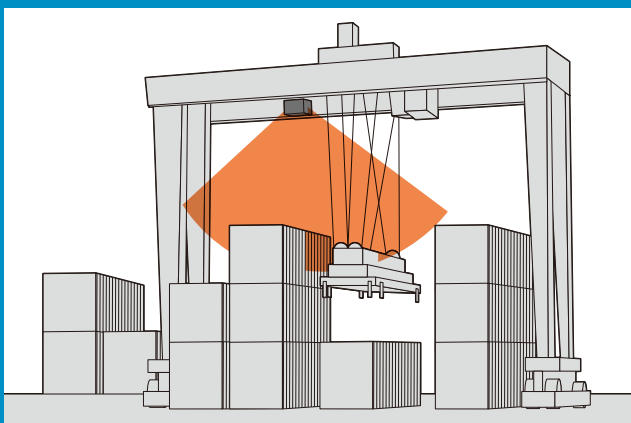
Data output type

UXM-30LXH-EWA

The UXM-30LXH series is suitable for measuring the distance to objects beneath an RTG. It is possible to detect size, position and the moving direction of objects.

Container Positioning for picking up

It is possible to pick up containers precisely based on distance and angle measurements obtained from the sensor.

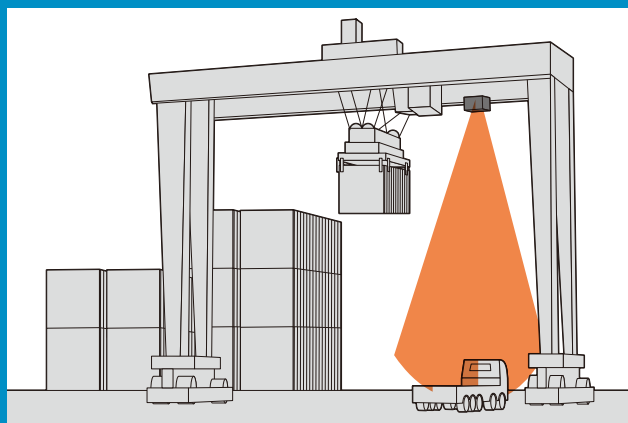


Applications

- Container Positioning
- Vehicle stop point assistance
- Container size measurement

Container Positioning for vehicle loading

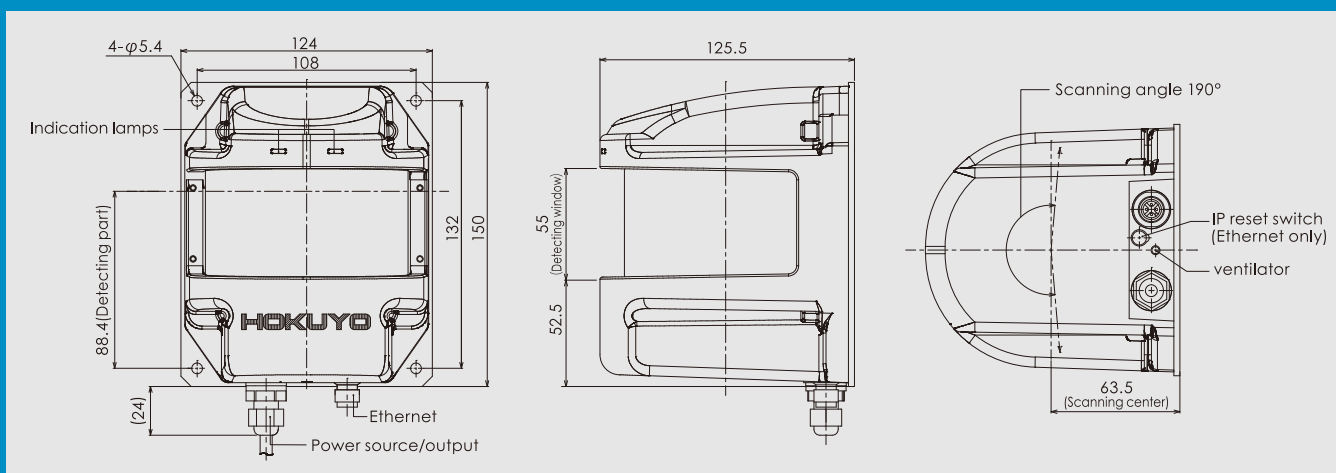
Using data from the UXM sensor, containers can be placed in the perfect position on to the waiting vehicle.



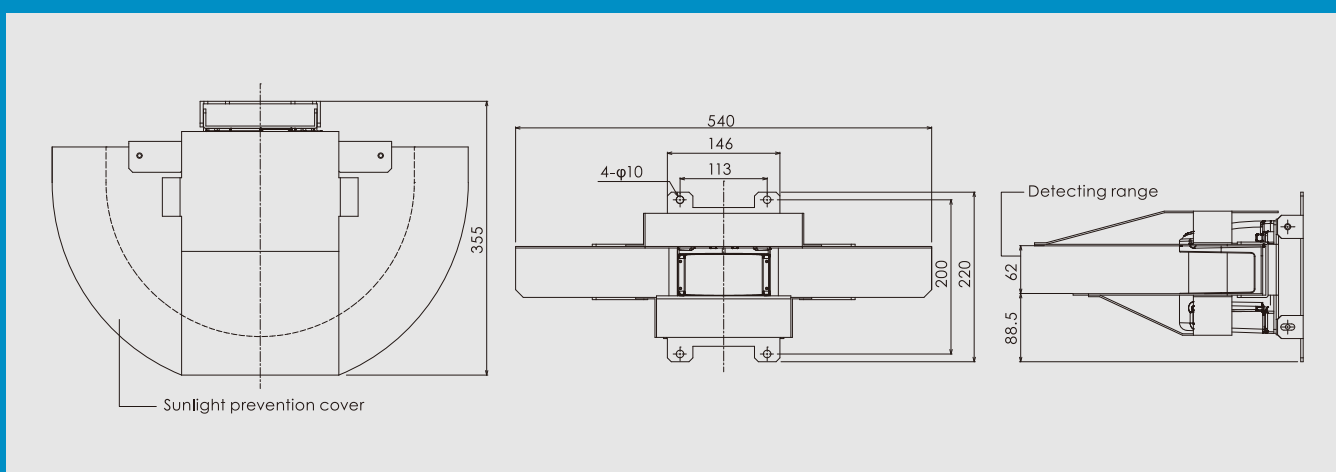
Specification

	Detection area setting type	Data output type
	UXM-30LAH-EWA	UXM-30LXH-EWA
Power Source	10 to 30VDC	10 to 30VDC
Scanning range	0.1 to 80m	0.1 to 80m
Scanning angle	190°	190°
Angular Resolution	0.125	0.125
Scanning accuracy	0.1 to 30m→±50mm	0.1 to 30m → ±50mm
Data Output	n/a	1520 steps (80m,190°)
Control Output	4 output signal : Error output , Output 1 , 2 and 3 NPN Open Collector	Error and Sync.
Input	4 input signal : Area Switching 1 , 2 , 3 and 4	n/a
Scanning time	50msec/scan	50msec/scan
Interface	Ethernet	Ethernet
Weight	Approx.800g	Approx.800g

External dimension



External dimension Option : Sunlight interference prevention cover



HOKUYO AUTOMATIC CO.,LTD.

Osaka HU Building, 2-2-5 Tokiwamachi, Chuo-Ku,
Osaka, Japan. 540-0028
TEL: +81-6-6947-6333 FAX: +81-6-6947-6350
URL <http://www.hokuyo-aut.jp>
E-mail: info@hokuyo-aut.jp