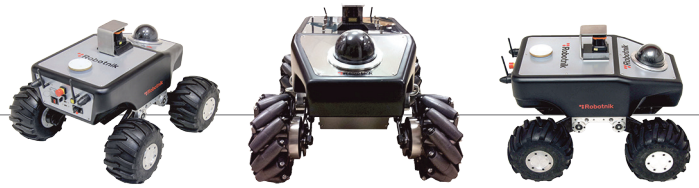


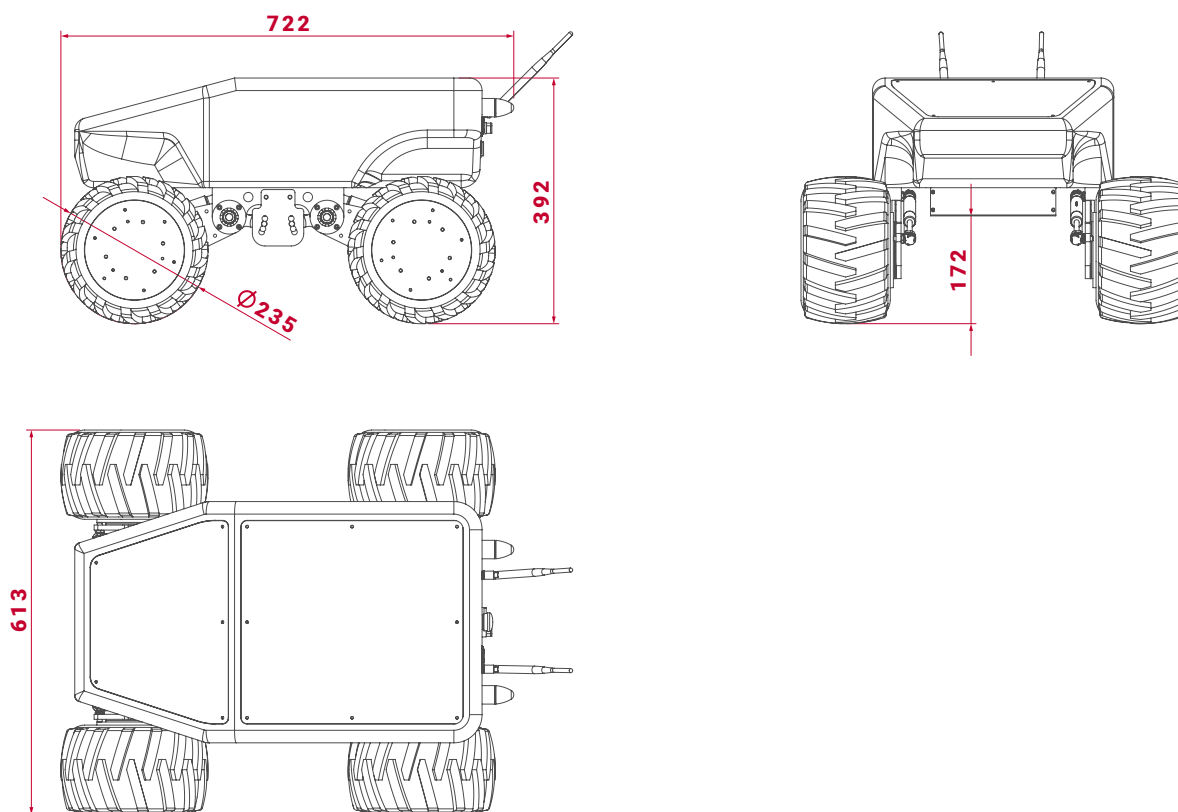
SUMMIT-XL



PERFECT FOR **RESEARCH**
ENVIRONMENTS IN BOTH
INDOOR & OUTDOORS

RESEARCH
SURVEILLANCE
MILITARY
REMOTE MONITORING
ACCESS TO HAZARDOUS AREAS





TECHNICAL SPECIFICATIONS

MECHANICAL

Dimensions	722 x 613 x 392 mm
Weight	45 Kg
Payload	20 Kg
Speed	3 m/s
Enclosure class	IP54 / IP65
Autonomy	5 h continuous motion
Batteries	LiFePO₄ 15Ah@24V
Traction system	4 wheels
Traction motors	4 x 250 W brushless servomotors
Temperature range	0° to +50°C
Max. slope	80 %

CONTROL

Controller	Open architecture ROS Embedded PC with Linux (Intel BayTrail J1900 or similar) Intel i7 option available
Communication	WiFi 802.11n
Connectivity	Internal: USB, RS232, GPIO External: USB RJ45 and 12 VDC