

2015

WOR-0013

MANU SYSTEMS

Manu Systems AG

08.04.2015

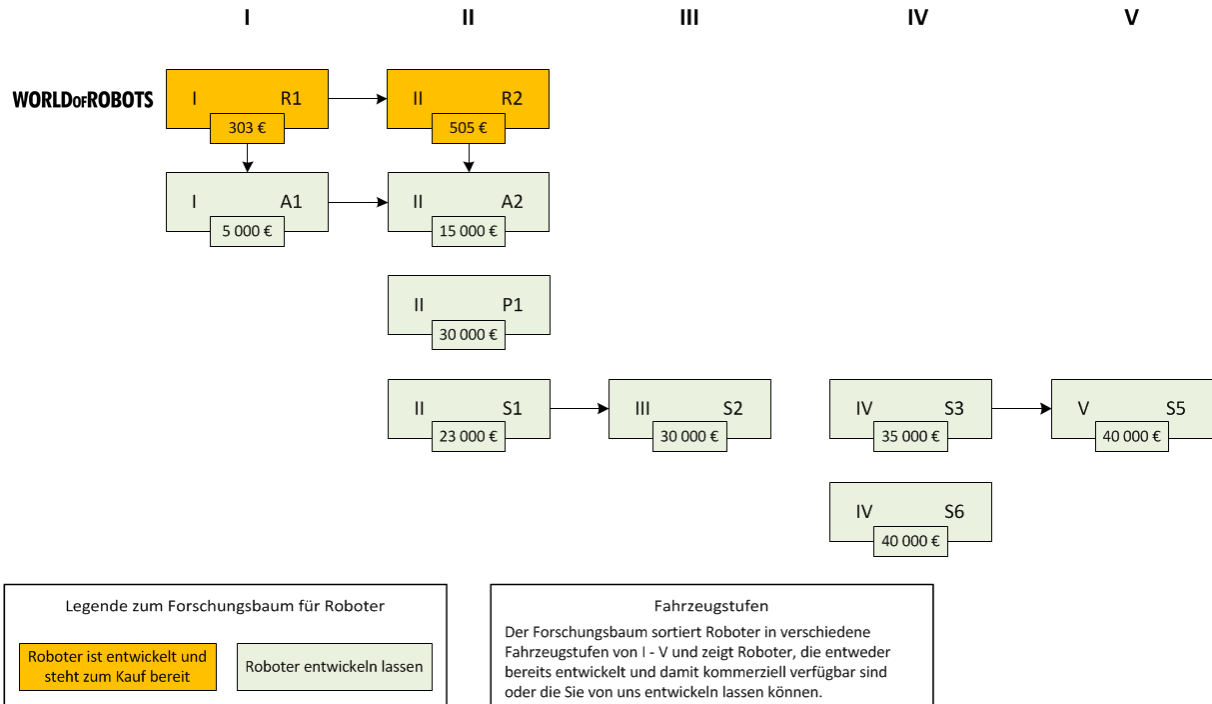
Version 1.0

WORLD OF ROBOTS

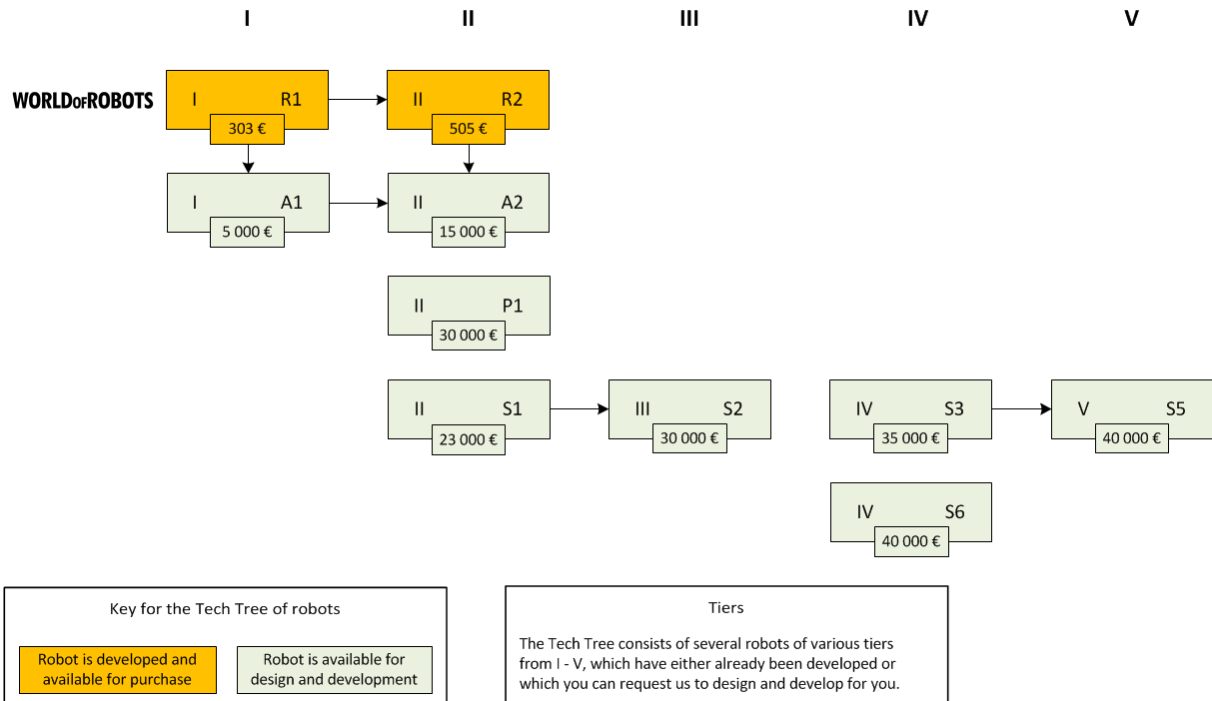
I.	WORLD OF ROBOTS.....	3
A.	Marke / Brand	3
B.	Artikel / Item	4
II.	R1 (WOR-0004).....	4
A.	R1 Forschungsbaum / R1 Tech Tree	4
III.	Zusammenbau / Assembly	5
A.	Teile / Single Parts	5
B.	Schritte /Steps	8
C.	= WOR-0013	10

I. WORLD OF ROBOTS

A. Marke / Brand



http://de.manu-systems.com/WORLD_OF_ROBOTS.shtml



http://en.manu-systems.com/WORLD_OF_ROBOTS.shtml

B. Artikel / Item

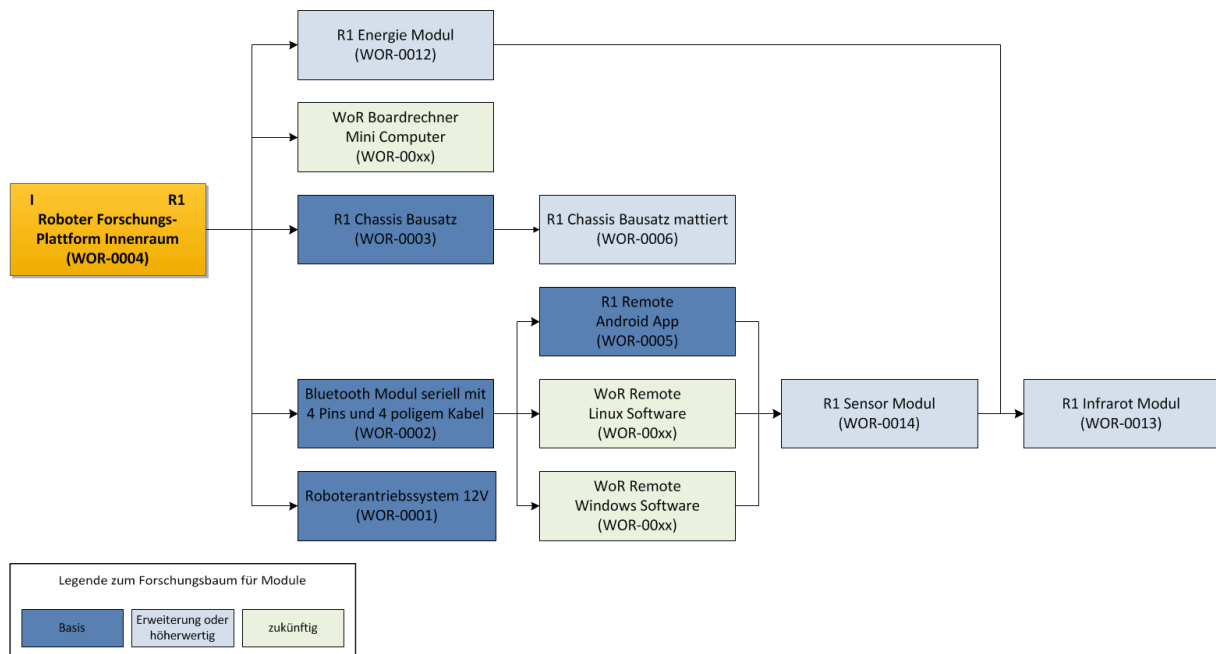
<http://<language>.manu-systems.com/<id>.shtml>

Language: de, en

ID: WOR-0123

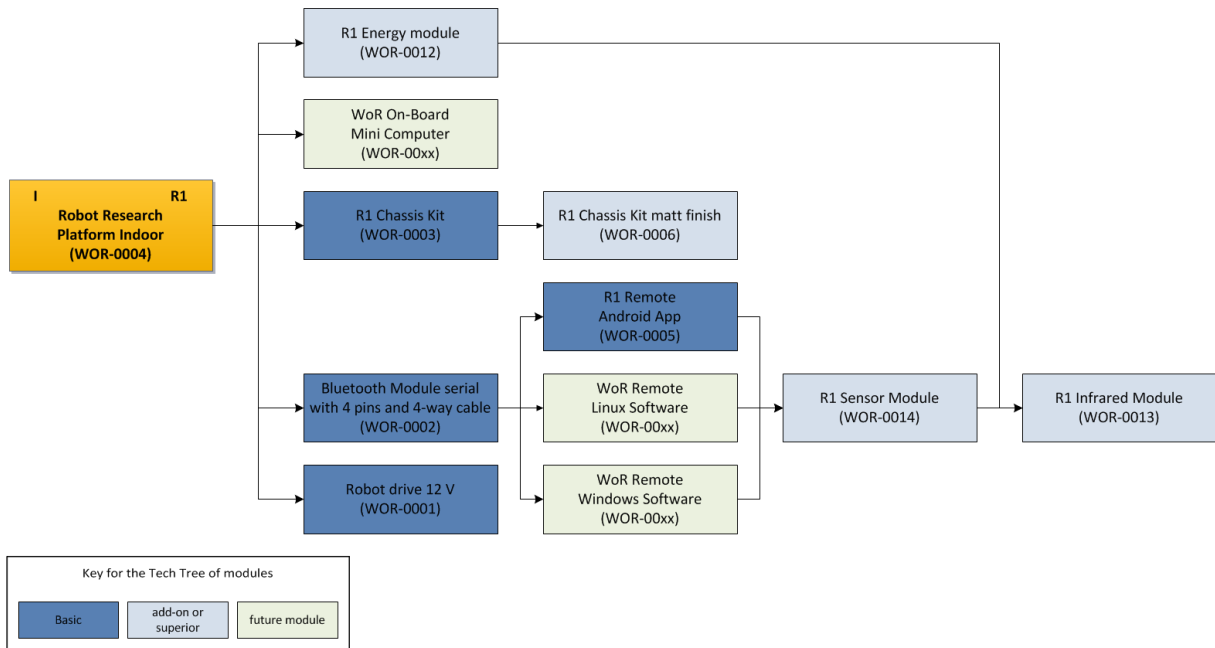
II. R1 (WOR-0004)

A. R1 Forschungsbaum / R1 Tech Tree



<http://de.manu-systems.com/WOR-0004.shtml>

WORLD OF ROBOTS

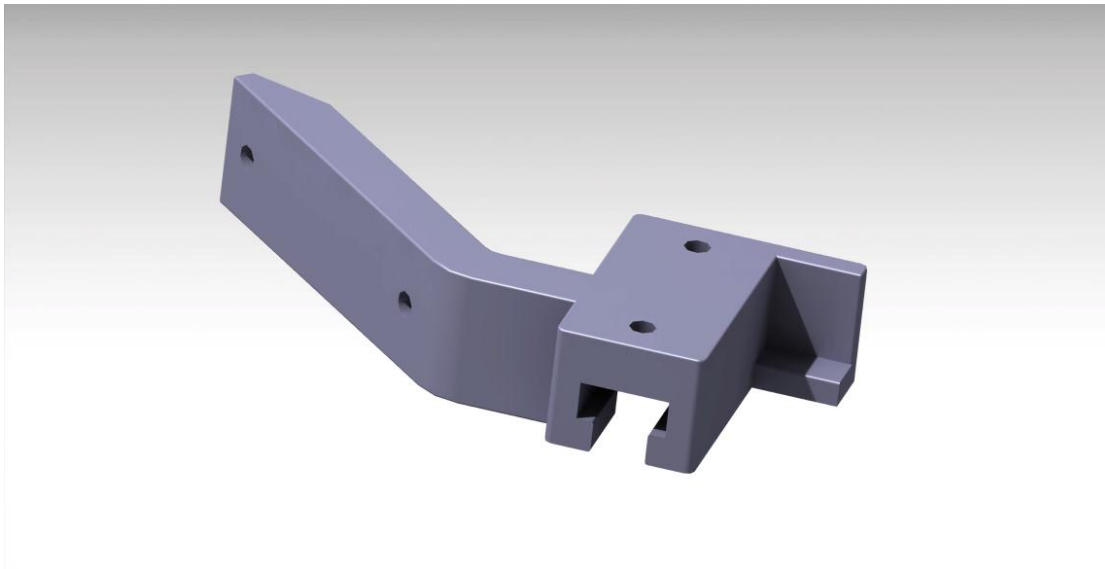


<http://en.manu-systems.com/WOR-0004.shtml>

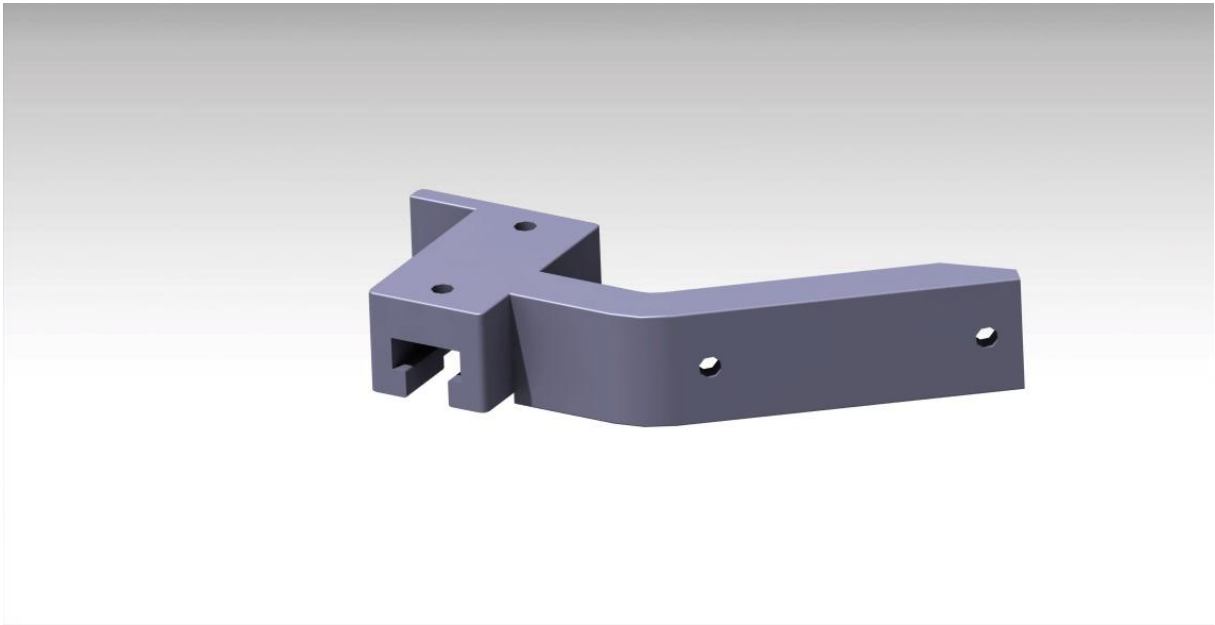
III. Zusammenbau / Assembly

A. Teile / Single Parts

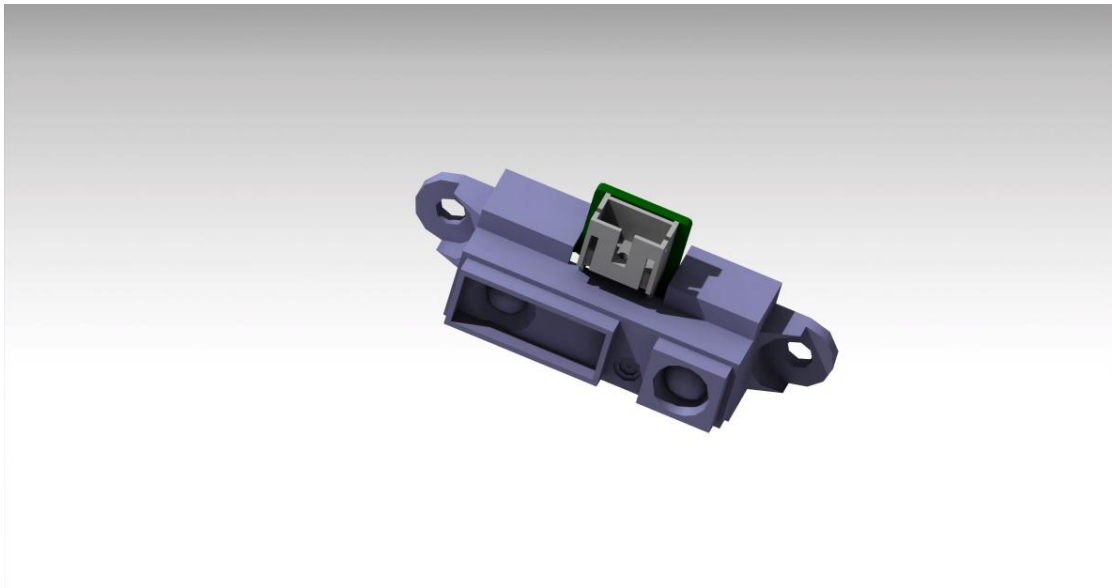
1x



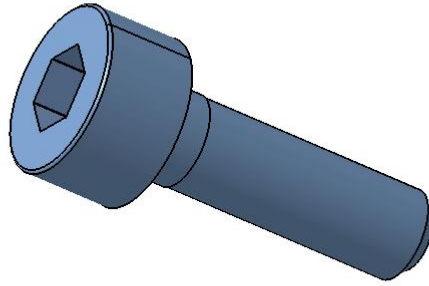
1x



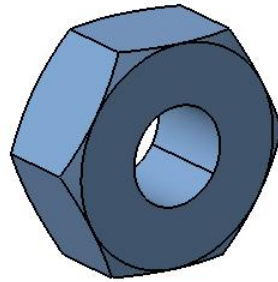
2x Sensor



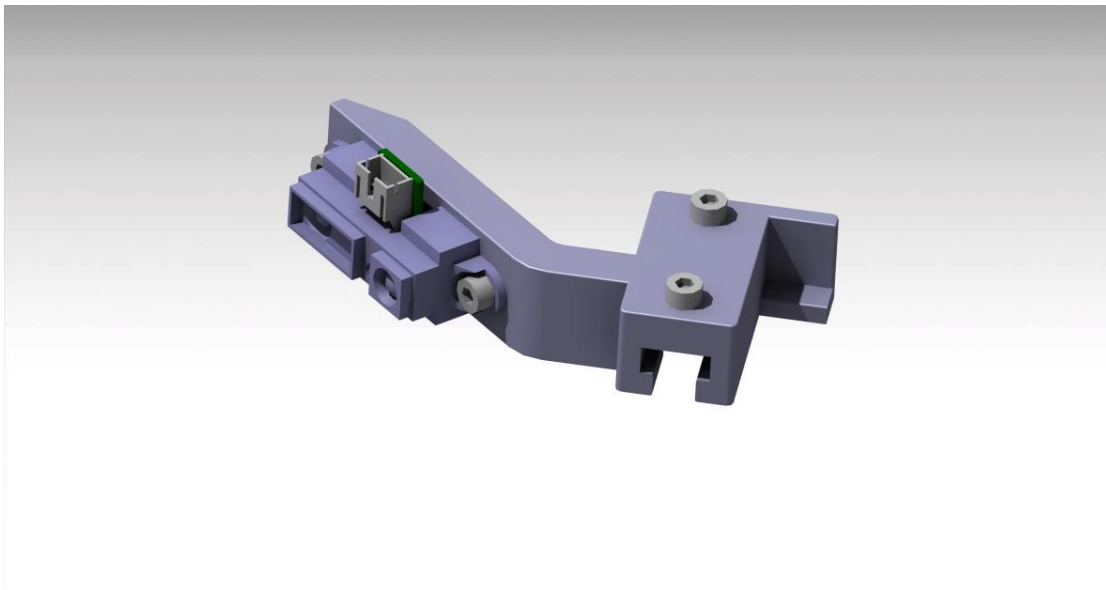
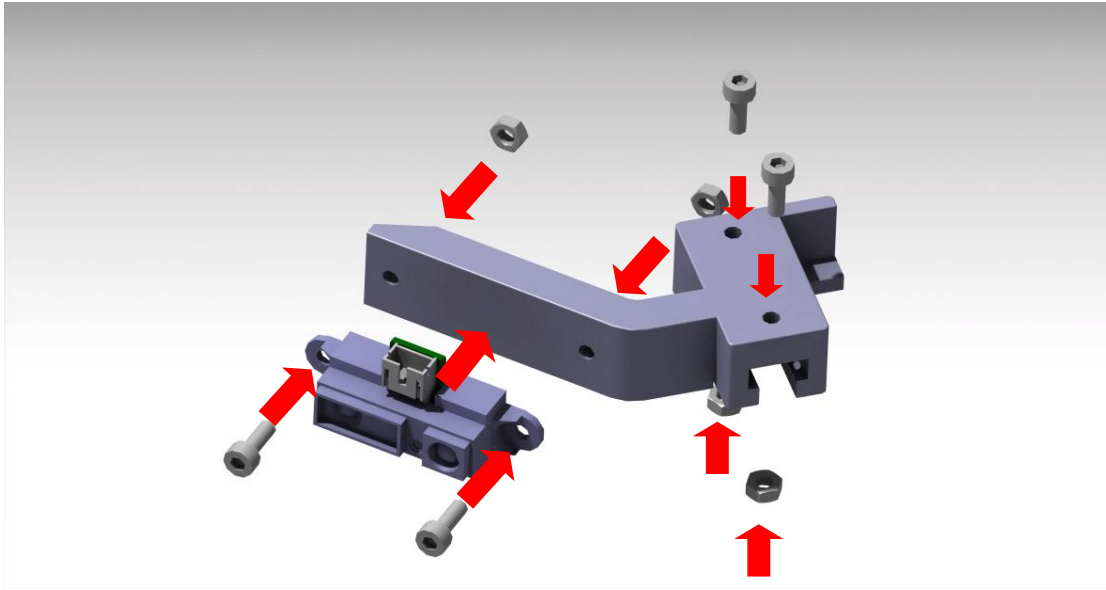
8x M3x8mm DIN 934

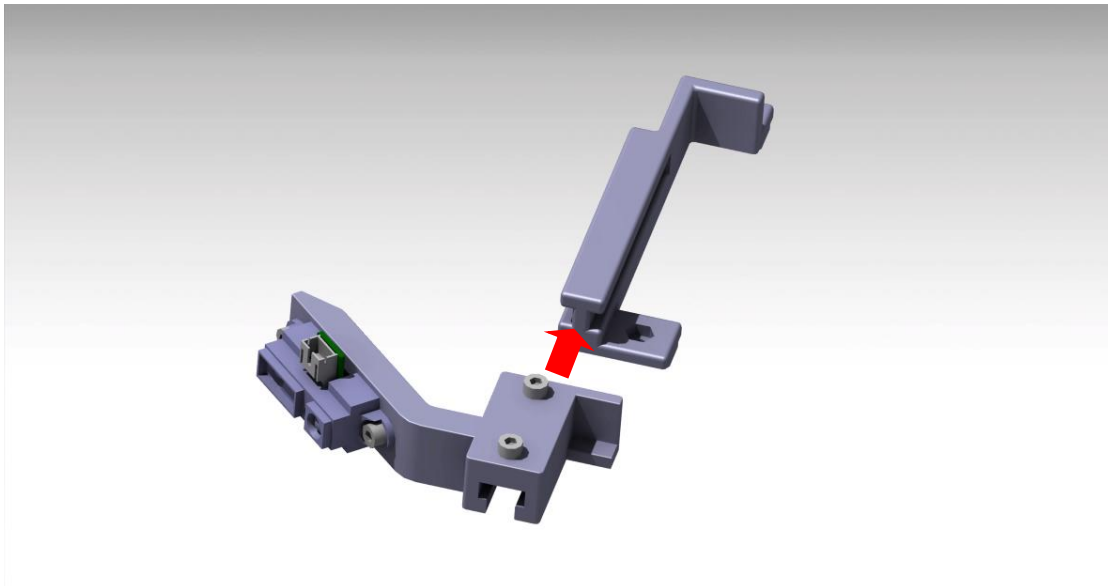
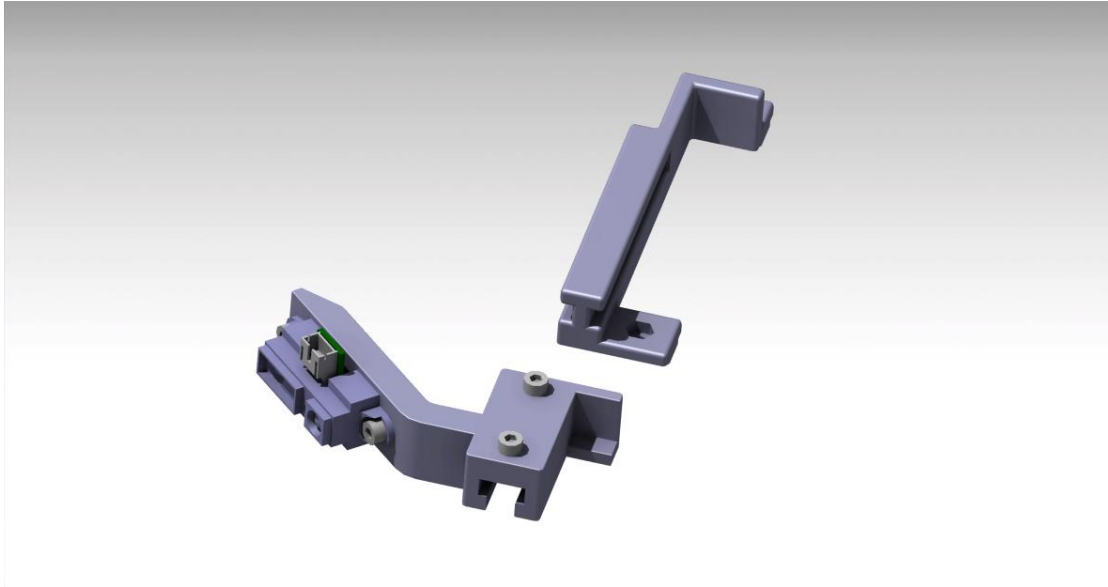


8x M3 DIN 934 (Standard)



B. Schritte /Steps





C. = WOR-0013

